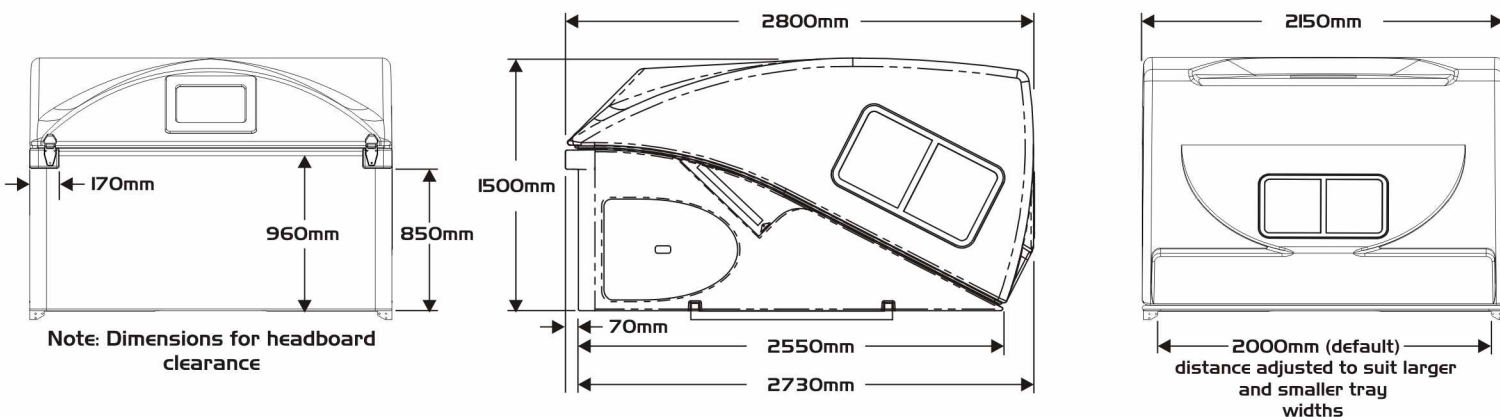


Innovan slide-on



Product, Operation, Legal & Storage Specifications

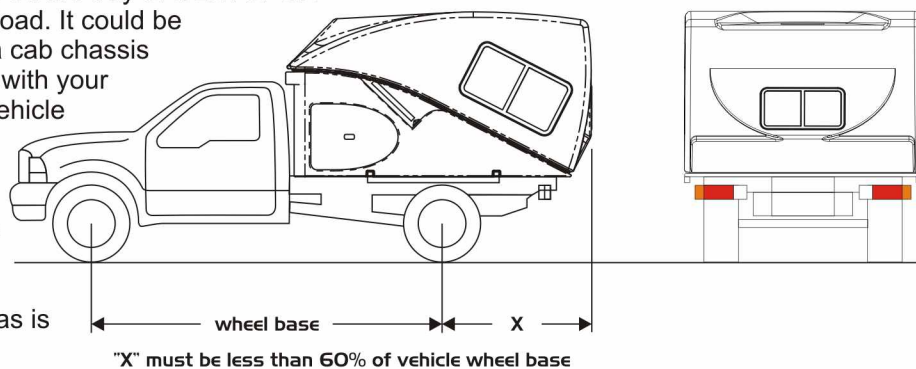
Overall Dimensions



Legal Attachment

The **Innovan** slide-on is designed to be carried on the tray of a 2x4 or 4x4 single cab tray back utility with a "one ton" payload. It could be mounted permanently on a frame attached to a cab chassis vehicle. Before placing purchase orders check with your local registering authority to ensure that your vehicle will satisfy all legal requirements with the **Innovan** slide-on attached

In Australia it is likely that a requirement will be that the vehicle can not extend beyond the centre of the rear axle more than 60 percent of the distance between the two axles centres as is shown on the adjacent schematic.



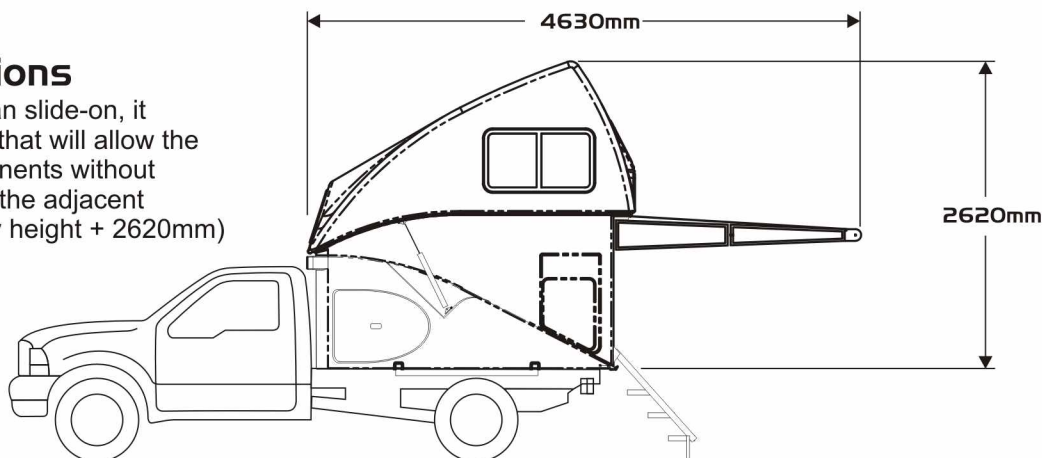
"X" must be less than 60% of vehicle wheel base

Ensure also that the weight of the slide-on together with water, fuel and any extra equipment you may want to carry does not cause the gross vehicle mass to be exceeded. Also consult your vehicle manual and to ensure that maximum axle loads will not be exceeded.

Operational Specifications

When setting up and using the **Innovan** slide-on, it is important to select a camping area that will allow the full expansion of the slide-on's components without collision or impact. As can be seen in the adjacent diagram, the slide-on total height (tray height + 2620mm) can easily exceed 3500mm.

In the horizontal axis, the **InnoShield** awning (if fitted) can extend 2030mm.



new ideas

new frontiers

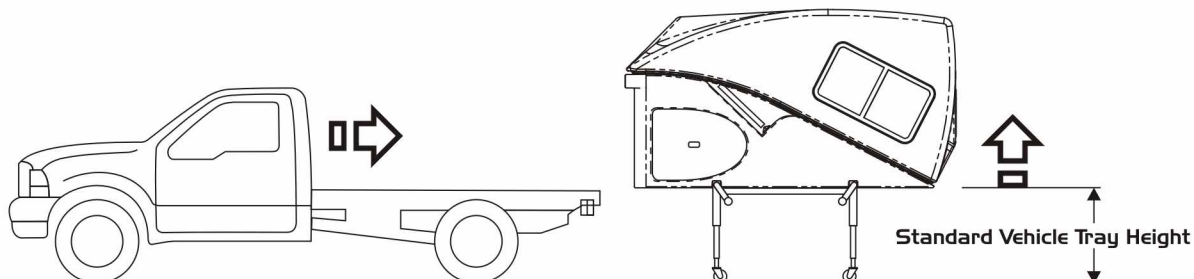
innovan
campers & caravans

© Copyright Innovan Pty Ltd
All rights reserved 2005



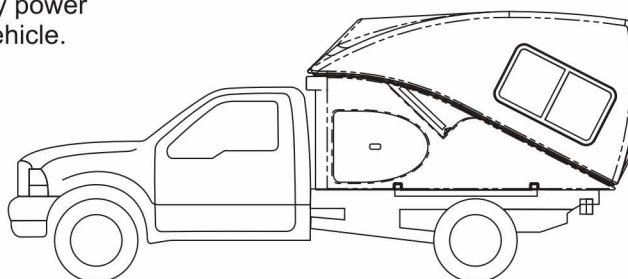
Attachment/Detachment

For most vehicles, the wind up/wind down jacks will raise the slide-on to a height suitable to reverse the tray back (without sides) under the unit. Owners of vehicles with unusual tray heights should contact **Innovan** to discuss the possible necessity for modification of the jacks. With air bag suspension or some other suitable lifting mechanism, non-adjustable legs could be used.



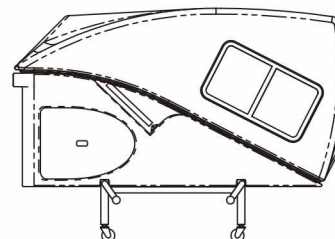
Once the host vehicle is positioned under the slide-on the jacks can be lowered until the weight of the Innovan is carried by the vehicle. The jacks can then be removed and stored. Before you start your adventure, make sure that the slide-on has been fastened to the trayback using supplied Innovan mount brackets. Also connect any power supplies your slide-on may require from the host vehicle.

To detach the Innovan slide-on the above process should be reversed. For a more detailed explanation or operational process please refer to your Innovan product manual.



Storage

When the slide-on is removed from the vehicle the jacks can be wound down to a minimum height for storage or a suitable height for the use of the stairs. With water and typical items in the front storage area the centre of gravity of the unit is about midway between the legs or jacks. As a result a force approximately equal to the total weight of the unit would need to be applied to the end of unit to make it unstable. The positioning of the legs or jacks provide maximum support for the total floor of the slide-on when being used in the free standing mode.



new ideas

new frontiers